

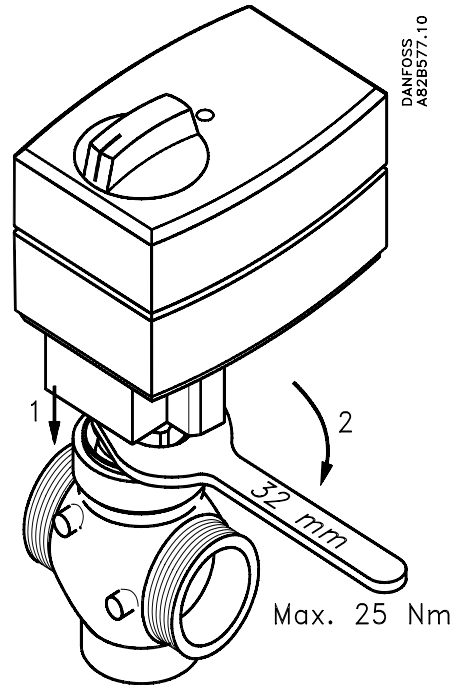
065R9074



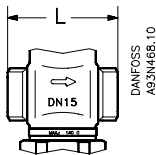
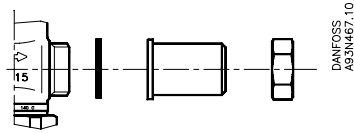
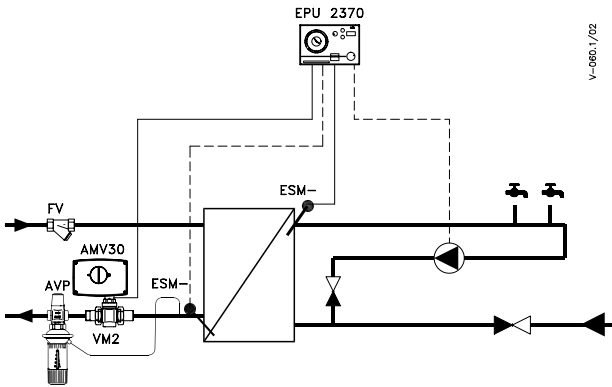
VM2



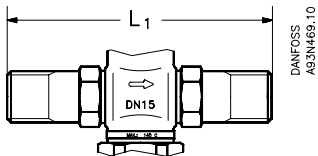
VB2



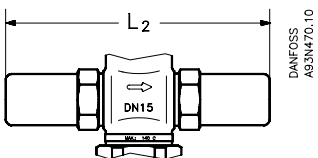
065R9074



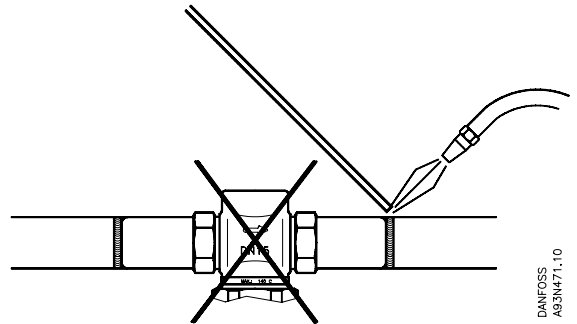
DN	L (mm)
15	65
20	70
25	75
32	100
40	110
50	130



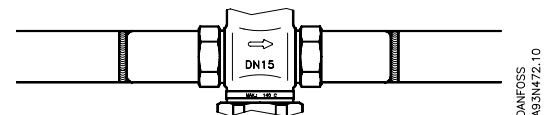
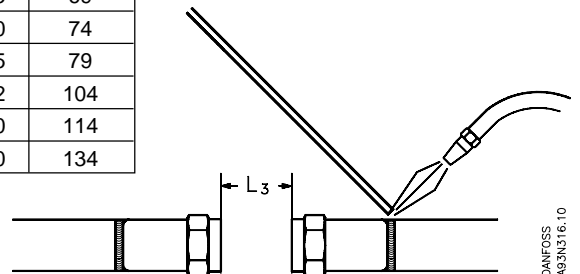
DN	L ₁ (mm)
15	131
20	142
25	159
32	196
40	196
50	228

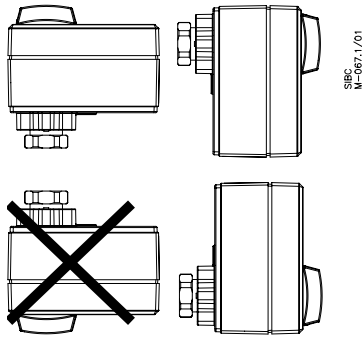


DN	L ₂ (mm)
15	139
20	154
25	159
32	184
40	294
50	330



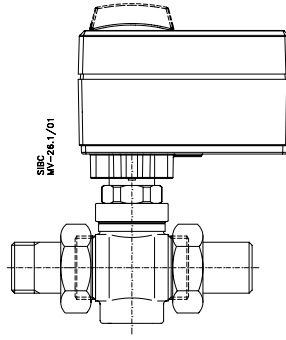
DN	L ₃ (mm)
15	69
20	74
25	79
32	104
40	114
50	134





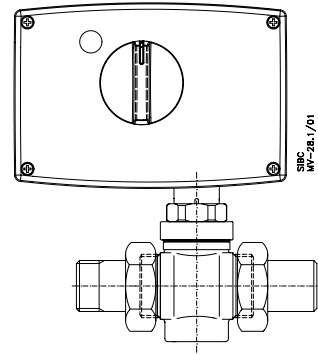
SIBC
M-067.1/01

AMV(E) 10



SIBC
MV-26.1/01

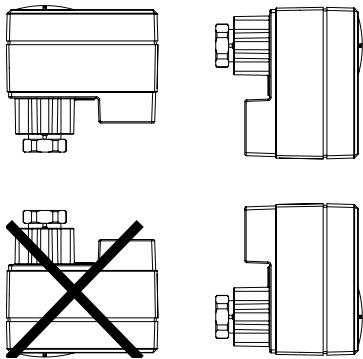
AMV(E) 10, AMV(E) 13
VM2 DN 15 - 25



SIBC
MV-26.1/01

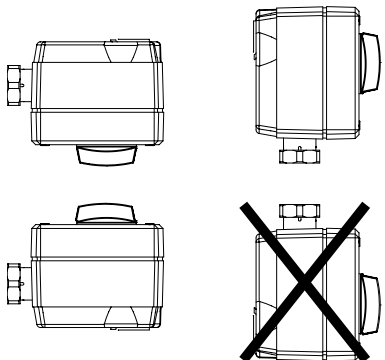
AMV(E) 20, 30; AMV(E) 23, 33
VM2 DN 15 - 50

Type	DN	k_{vs}	AMV(E) 10/13	AMV(E) 20/23; 30/33
VM2	15	0.25 - 4.0	●	●
VM2	20	4.0	●	●
VM2	20	6.3	-	●
VM2	25	6.3	●	●
VM2	25	8.0	-	●
VM2	32	10	-	●
VM2	40	16	-	●
VM2	50	25	-	●



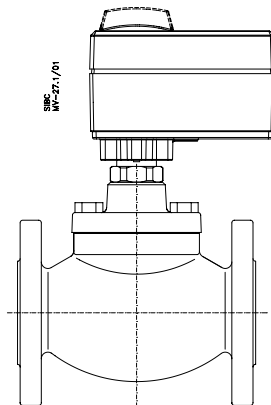
SIBC
M-068.1/01

AMV(E) 13



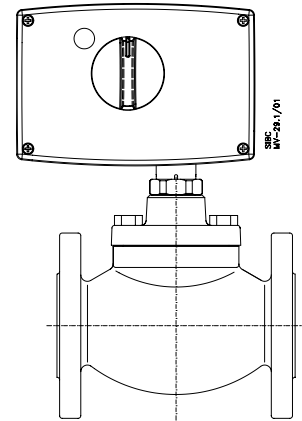
SIBC
M-070.1/01

AMV(E) 20, AMV(E) 30



SIBC
MV-27.1/01

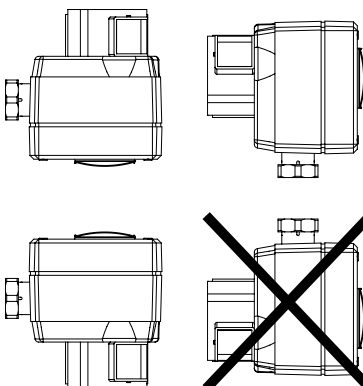
AMV(E) 10, AMV(E) 13
VB2 DN 15 - 20



SIBC
MV-26.1/01

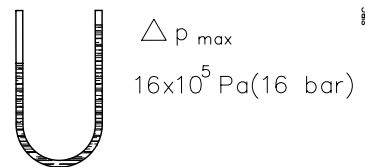
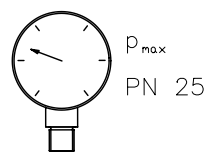
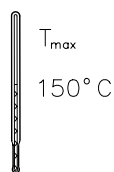
AMV(E) 20, 30; AMV(E) 23, 33
VB2 DN 15 - 50

Type	DN	k_{vs}	AMV(E) 10/13	AMV(E) 20/23; 30/33
VB2	15 - 20	0.25 - 6.3	●	●
VB2	25 - 50	10 - 40	-	●



SIBC
M-065.1/01

AMV(E) 23, AMV(E) 33



SIBC
V-014.2/01